

RS3 RECUMBENT LIFECYCLE® EXERCISE BIKE

RS3-XX00-0105, RS3-XX14-0105, RS3-XX16-0105

PARTS MANUAL



Table of Contents

- Miscellaneous Part Numbers 1
- Consoles Used with RS1 and RS3 Bases 1
- Pedals and Components 2
- Upright and Handlebars 3
- Seat and Upright Components 4
- Seat and Handlebar Components 5
- Shrouds and Hardware 7
- Seat Stop Components 8
- Drive Components 9
- Frame Components 10
- Wiring Diagram 11

Miscellaneous Part Numbers

Serial Number Table

| Item | Alpha Code* | Starting Serial Number | Ending Serial Number |
|---------------|-------------|------------------------|----------------------|
| RS3-XX00-0105 | RSB | RSB 100001 | |
| RS3-XX14-0105 | RSB | RSB 100001 | |
| RS3-XX16-0105 | RSB | RSB 100001 | |

* Refer to first three letters of the product's Serial Number for the Alpha code

Consoles used with the RS1 and RS3 Bases

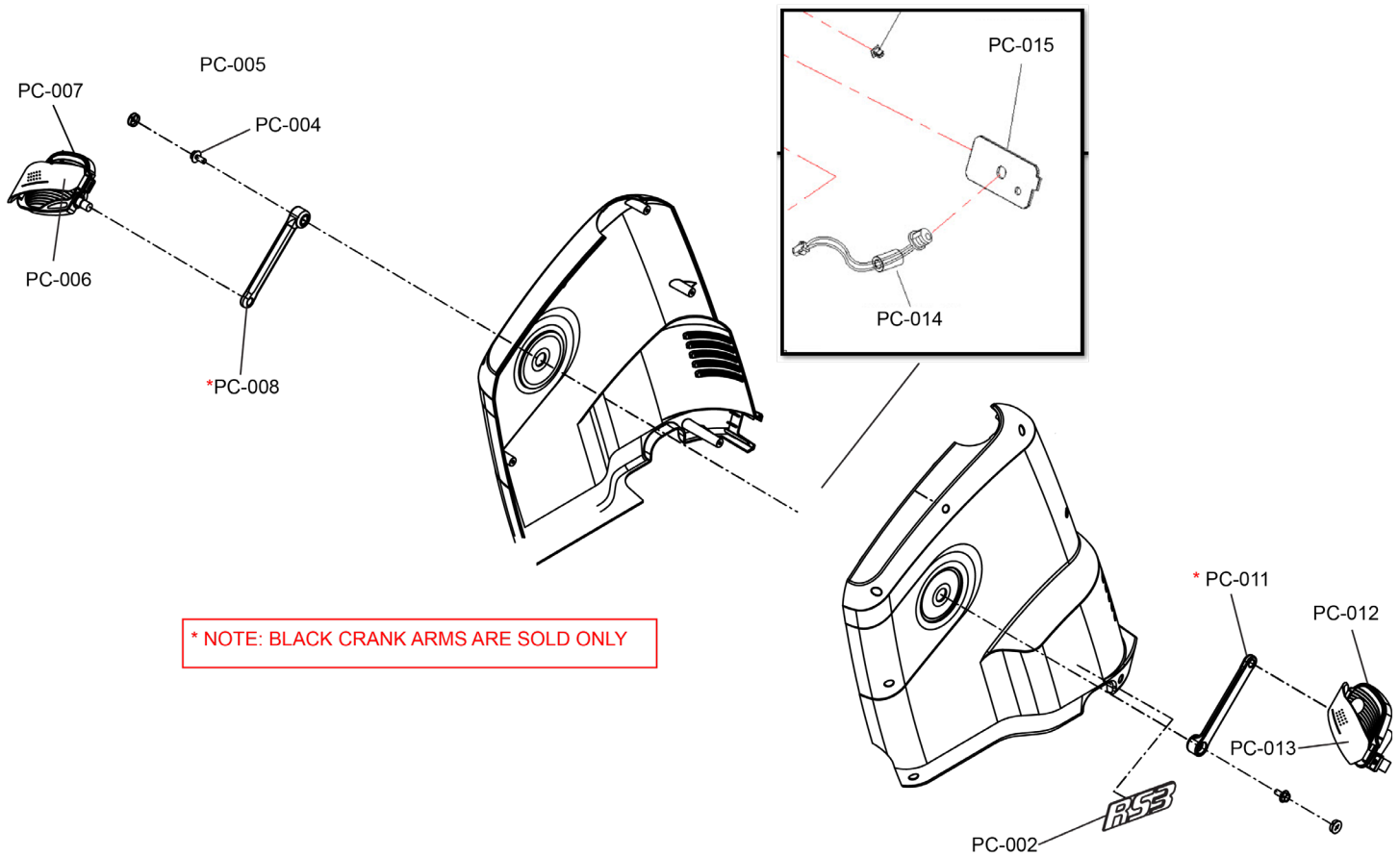


Track+ Console TCK-0X0X-0105



Go Console GC-0X0X-0105

Pedals and Components

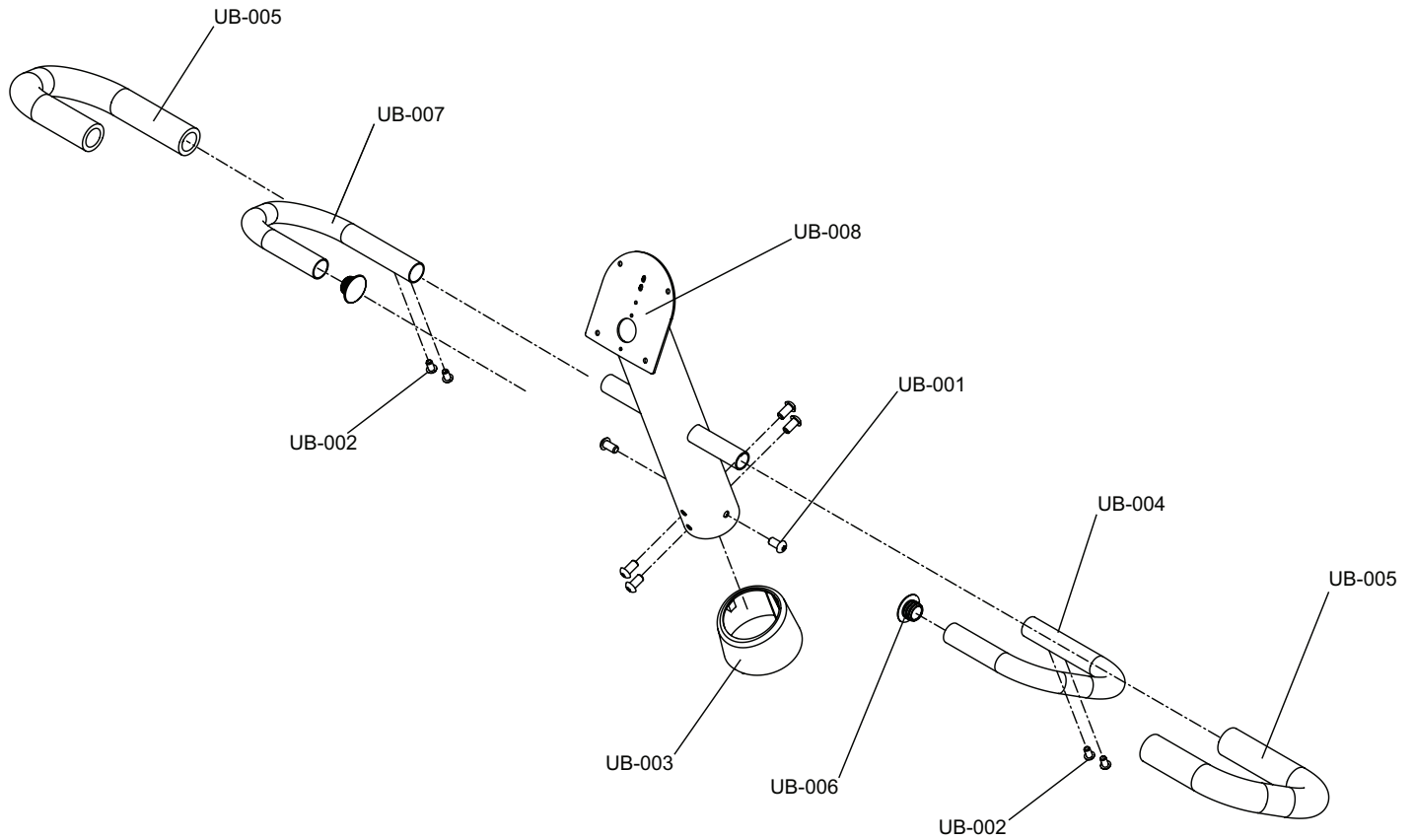


Parts List

| Item | Alpha Code | Part Number | Description |
|----------|------------|-----------------|-----------------------------|
| PC-002 | RSB | REX3H3Q | RS3 Badge (2) |
| PC-004 | RSB | REX0JZM | Hex Screw (2) |
| PC-005 | RSB | REX01A8 | Crank Cap (2) |
| PC-006 | RSB | REX2KHL | Left Pedal Strap |
| PC-007 | RSB | REX21N1 | Left Pedal, Self Balancing |
| * PC-008 | RSB | REX3GJ3 | Left Crank Arm |
| PC-010 | RSB | REX229E | Both Pedals and Straps |
| * PC-011 | RSB | REX3GJ4 | Right Crank Arm |
| PC-012 | RSB | REX21N2 | Right Pedal, Self Balancing |
| PC-013 | RSB | REX2KHM | Right Pedal Strap |
| PC-014 | RSB | REX2K86 | Cable |
| PC-015 | RSB | 0K66-01063-0000 | Bracket, Power/Coax |

Upright and Handlebars

Exploded View

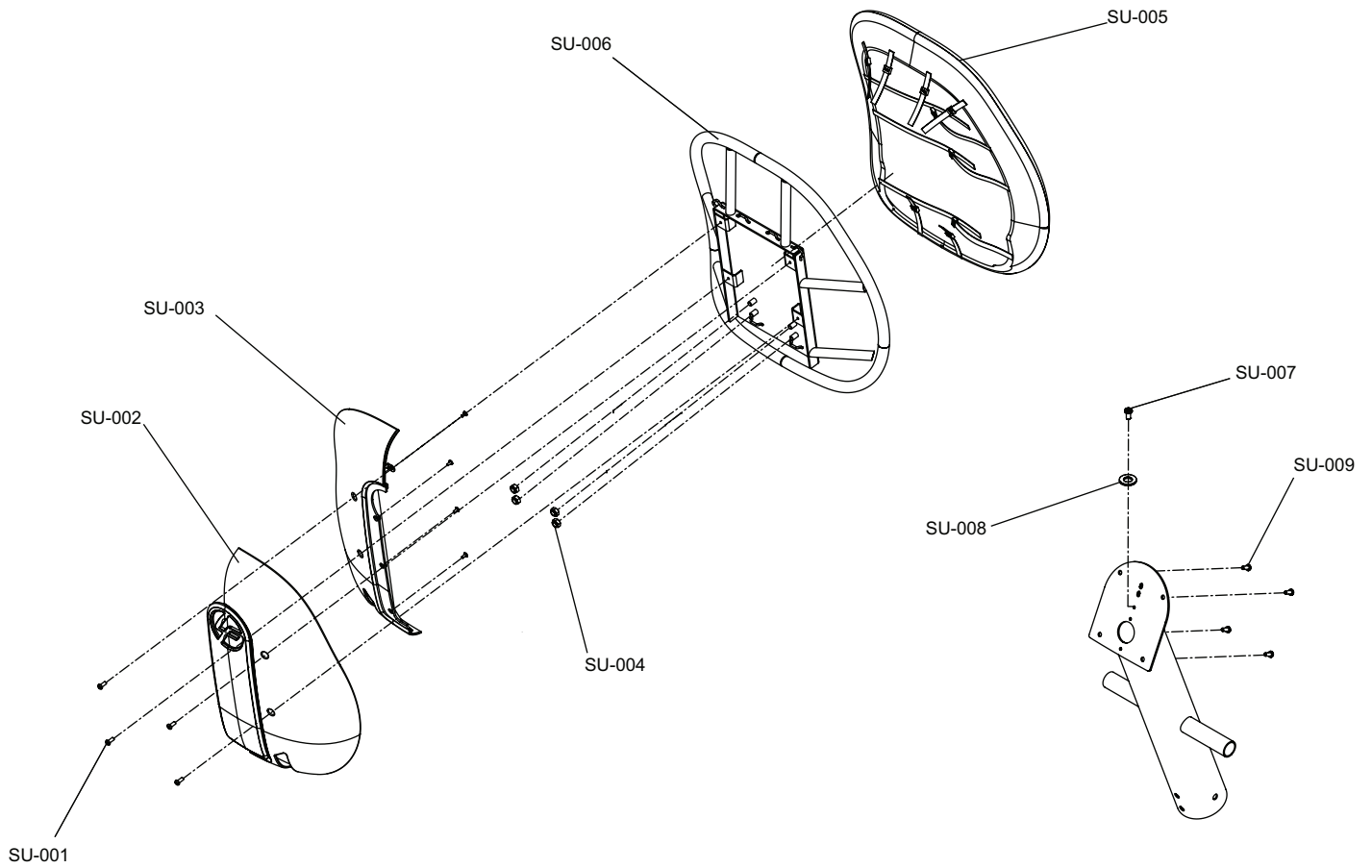


Parts List

| Item | Alpha Code | Part Number | Description |
|--------|------------|-----------------|-------------------------------|
| UB-001 | RSB | REX0K03 | Bolt, 8MM X 15MM (6) |
| UB-002 | RSB | 0017-00101-2088 | Screw, SHCS 8MM X 20MM CZ (4) |
| UB-003 | RSB | REX3EWK | Grommet, Upright |
| UB-004 | RSB | REX3EVF | RH Handlebar |
| UB-005 | RSB | REX3EVH | Grip (2) |
| UB-006 | RSB | REX2HK7 | Cap, Grip (2) |
| UB-007 | RSB | REX3EVG | LH Handlebar |
| UB-008 | RSB | REX3GX8 | Upright Weldment |

Seat and Upright Components

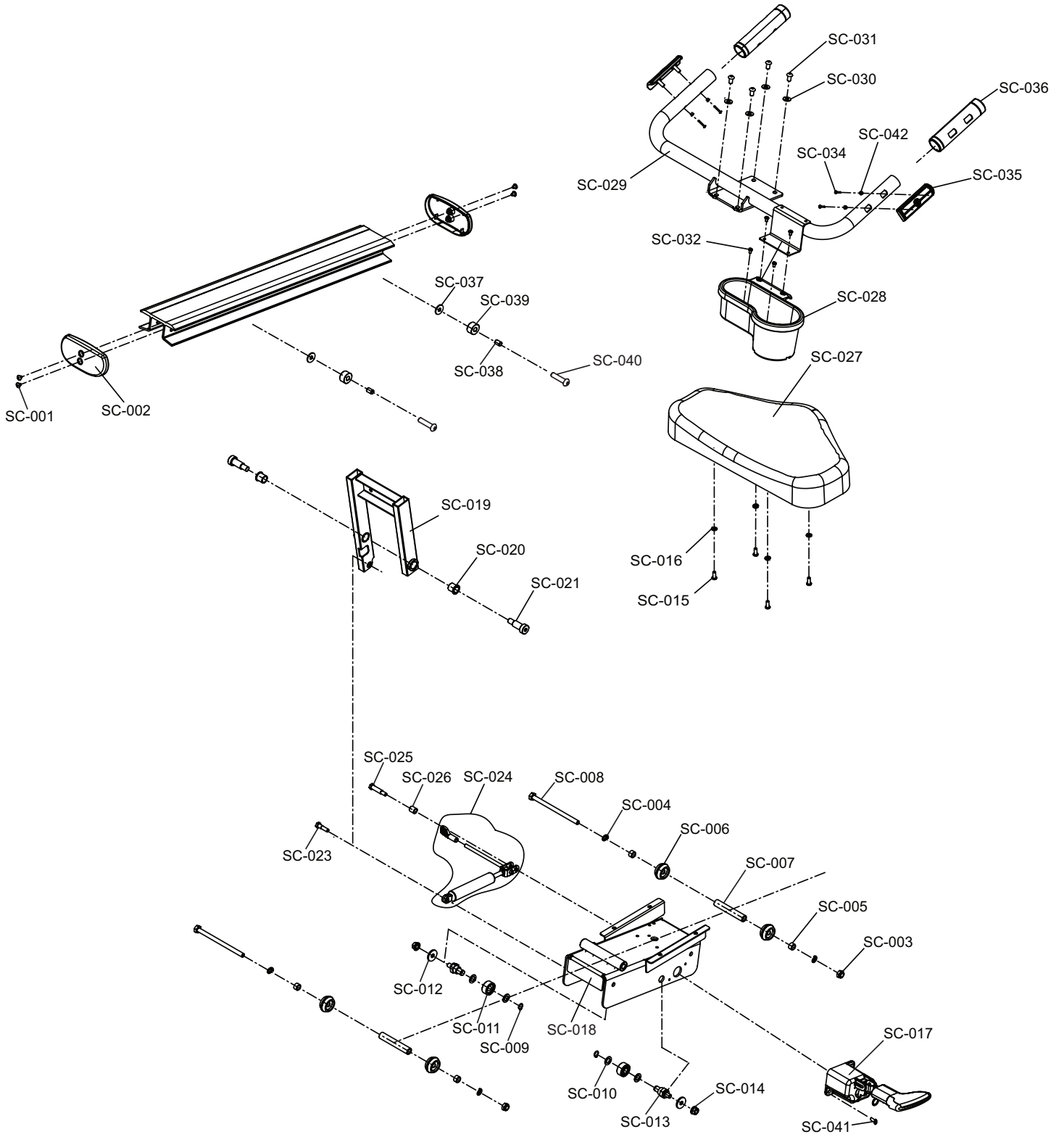
Exploded View



Parts List

| Item | Alpha Code | Part Number | Description |
|--------|------------|-------------|-----------------|
| SU-001 | RSB | REX0KDJ | M5 Screw (4) |
| SU-002 | RSB | REX3GQH | RT Seat Back |
| SU-003 | RSB | REX3GQG | LT Seat Back |
| SU-004 | RSB | REX0KQY | Nylock Nut (4) |
| SU-005 | RSB | REX2RYR | Mesh Seat Cover |
| SU-006 | RSB | REX348S | Seat Back |
| SU-007 | RSB | REX0KFE | Pan Screw |
| SU-008 | RSB | REX0JAG | Lock Washer |
| SU-009 | RSB | REX0KCD | M5 Screw (4) |

Seat and Handlebar Components

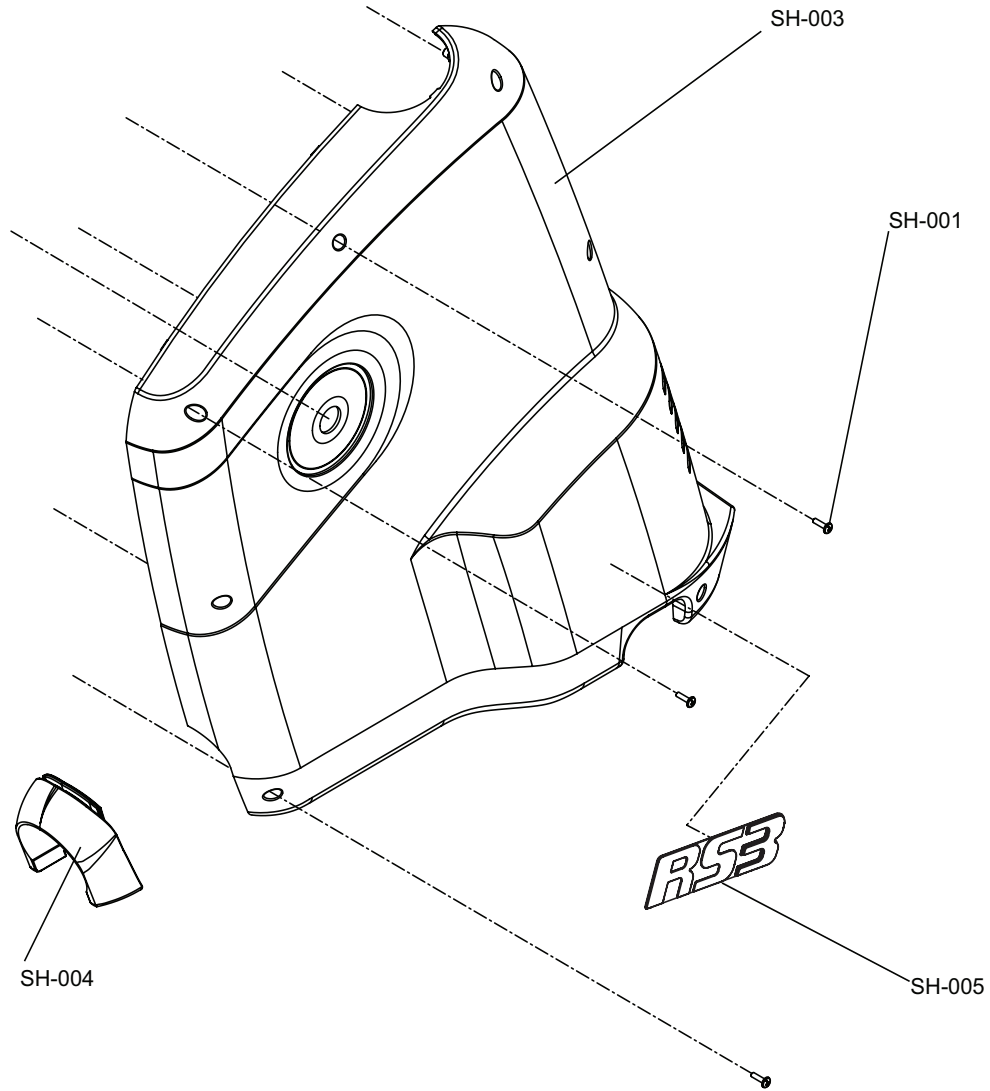


Parts List

| Item | Alpha Code | Part Number | Description |
|--------|------------|-----------------|-----------------------|
| SC-001 | RSB | REX0K4R | Screw (4) |
| SC-002 | RSB | REX3GPY | Seat Cap (2) |
| SC-003 | RSB | REX33N3 | Locking Nut (2) |
| SC-004 | RSB | REX0J93 | Spring Washer (4) |
| SC-005 | RSB | REX20Q0 | Spacer (4) |
| SC-006 | RSB | REX20Q1 | Rolling Wheel (4) |
| SC-007 | RSB | REX20Q2 | Spacer (2) |
| SC-008 | RSB | REX20W1 | Bolt (2) |
| SC-009 | RSB | REX20ZA | Ret. Ring (2) |
| SC-010 | RSB | REX213C | Flat Washer (4) |
| SC-011 | RSB | REX20PZ | Adjust Wheel (2) |
| SC-012 | RSB | REX213E | Flat Washer (2) |
| SC-013 | RSB | REX20PY | Tension Axle (2) |
| SC-014 | RSB | REX20W0 | M10 Hex Nut (2) |
| SC-015 | RSB | REX0KDV | M6 Screw (4) |
| SC-016 | RSB | REX0J95 | Spring Washer (4) |
| SC-017 | RSB | REX3GYE | Seat Lock |
| SC-018 | RSB | REX3GQB | Seat Weldment |
| SC-019 | RSB | REX3GQC | Seat Support |
| SC-020 | RSB | REX2RV9 | Bearing (2) |
| SC-021 | RSB | REX2RVC | Shoulder Bolt (2) |
| SC-023 | RSB | REX34ER | Shock Pin |
| SC-024 | RSB | REX3F1T | Shock |
| SC-025 | RSB | REX34EQ | Front Shock Mount Pin |
| SC-026 | RSB | REX34EN | Spacer |
| SC-027 | RSB | REX2B8G | Seat |
| SC-028 | RSB | REX2AUJ | Cup Holder |
| SC-029 | RSB | REX3GXC | Handlebar Weldment |
| SC-030 | RSB | REX0J5G | Washer (4) |
| SC-031 | RSB | REX0K03 | Screw (4) |
| SC-032 | RSB | REX0KDH | Screw (4) |
| SC-034 | RSB | 0017-00101-2069 | Screw (4) |
| SC-035 | RSB | REX3GY2 | Heart Rate Sensor (2) |
| SC-036 | RSB | REX34RP | Grip (2) |
| SC-037 | RSB | REX0J53 | Washer (2) |
| SC-038 | RSB | REX21RA | Spacer (2) |
| SC-039 | RSB | REX21NY | Seat Stop Rear |
| SC-040 | RSB | REX33MF | Screw (2) |
| SC-041 | RSB | REX22R9 | Seat Lock Screw (2) |
| SC-042 | RSB | REX36G5 | HR Sensor Spacer (4) |

Shrouds and Hardware

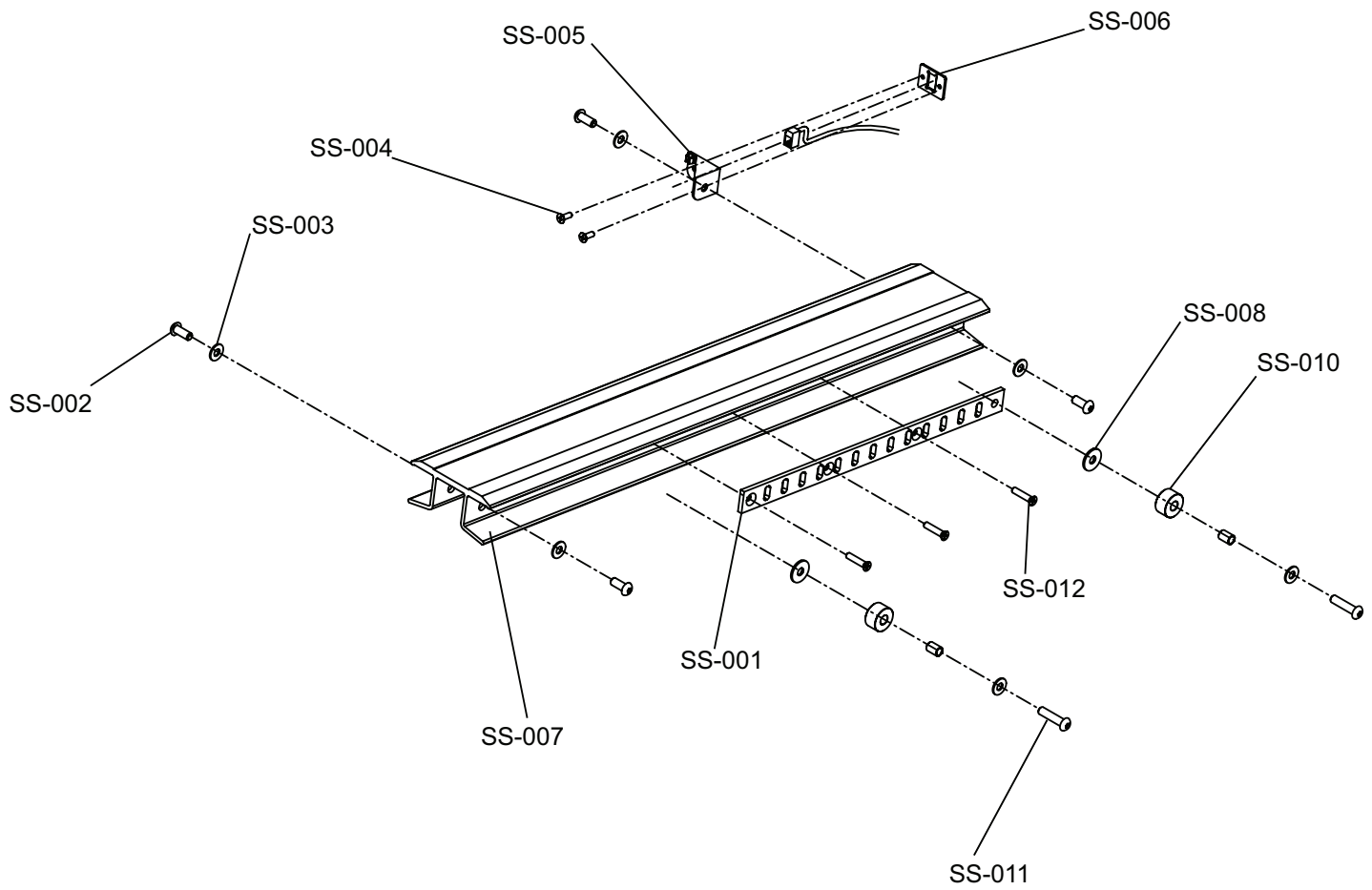
Exploded View



Parts List

| Item | Alpha Code | Part Number | Description |
|--------|------------|-----------------|------------------------------|
| SH-001 | RSB | 0017-00101-1796 | Phillips Screw (11) |
| SH-002 | RSB | 0K76-01006-0201 | Left Side Shroud (Not Shown) |
| SH-003 | RSB | AK76-00005-0201 | Right Side Shroud |
| SH-004 | RSB | REX3EWL | Lower Shroud Gasket |
| SH-005 | RSB | REX3H3Q | RS3 Badge |

Seat Stop Components

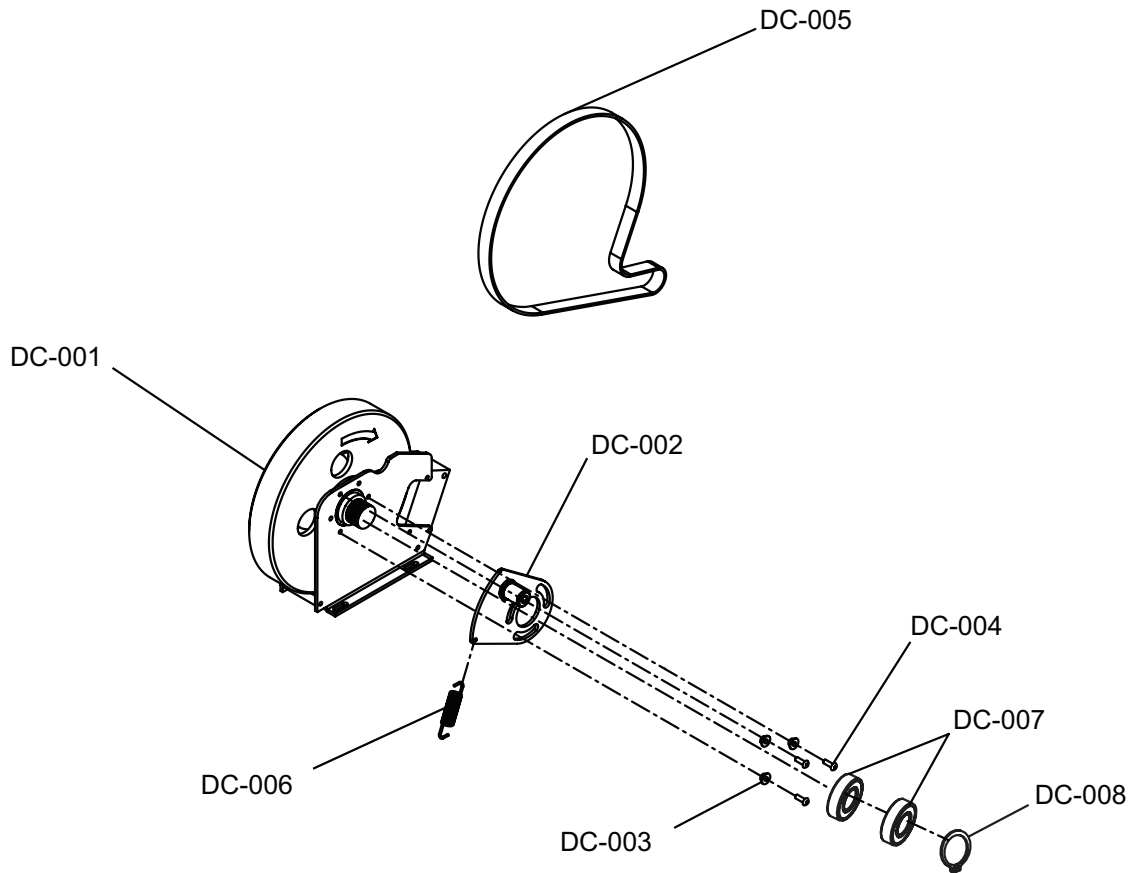


Parts List

| Item | Alpha Code | Part Number | Description |
|--------|------------|----------------|---------------------|
| SS-001 | RSB | REX20MD | Seat Stop |
| SS-002 | RSB | REX33MF | Stop Bolt (4) |
| SS-003 | RSB | REX0J5G | Washer (4) |
| SS-004 | RSB | REX0K56 | Screw (2) |
| SS-005 | RSB | REX3EWN | Cord Clamp |
| SS-006 | RSB | REX20V0 | Tension Plate |
| SS-007 | RSB | REX3EVJ | Seat Extrusion |
| SS-008 | RSB | REX0J53 | Washer (2) |
| SS-010 | RSB | REX01VL | Bumper (2) |
| SS-011 | RSB | REX33MF | M8 Screw (2) |
| SS-012 | RSB | REX0K5E | Seat Adj. Screw (3) |

Drive Components

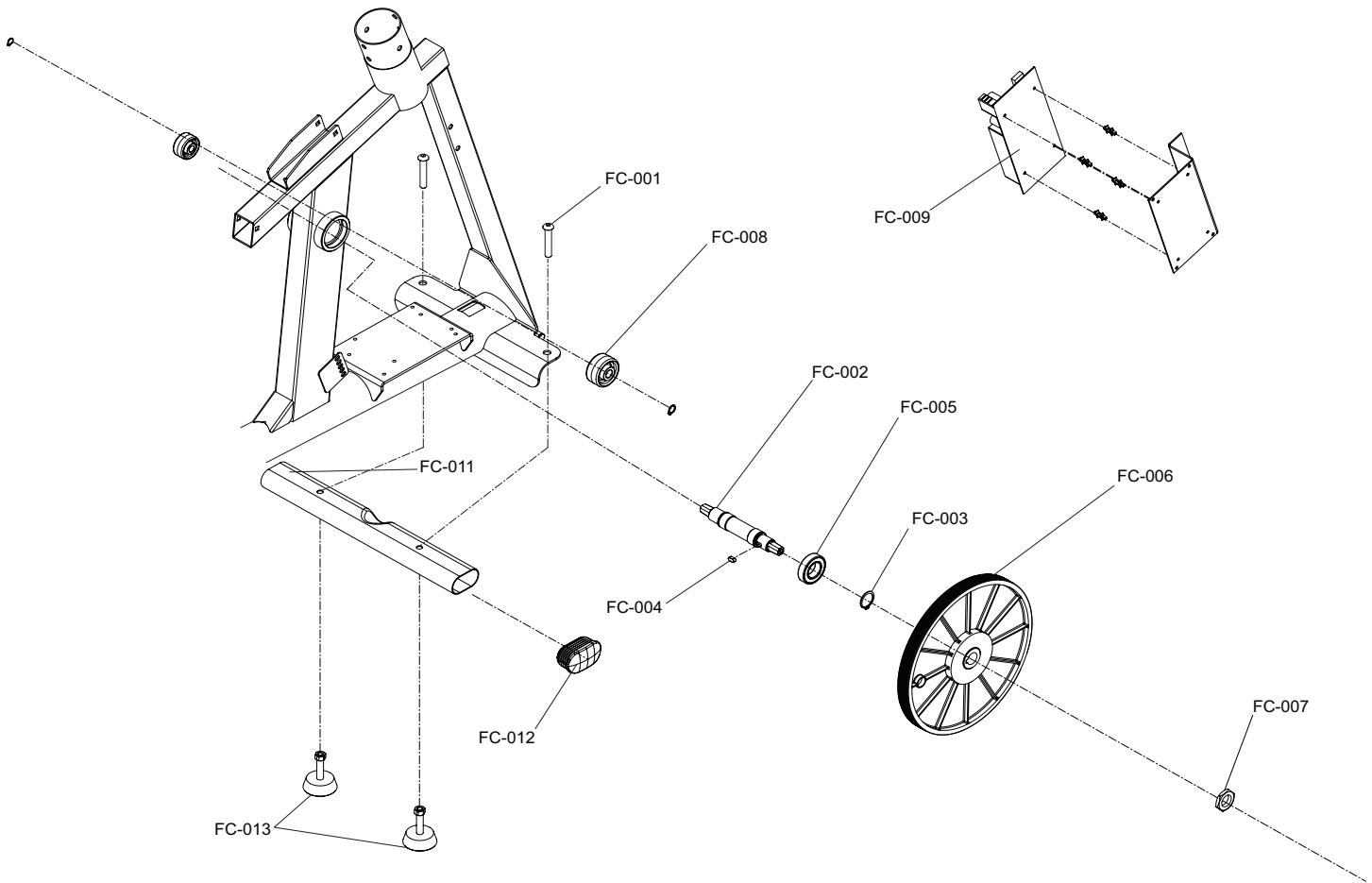
Exploded View



Parts List

| Item | Alpha Code | Part Number | Description |
|--------|------------|-------------|------------------------|
| DC-001 | RSB | REX3EUR | Generator |
| DC-002 | RSB | REX3EW4 | Belt Tensioner |
| DC-003 | RSB | REX019S | Tensioner Spacer (3) |
| DC-004 | RSB | REX0JZU | Brake Screw (3) |
| DC-005 | RSB | REX39V6 | Poly V-Belt |
| DC-006 | RSB | REX01LJ | Spring |
| DC-007 | RSB | REX0HVP | Tensioner Bearings (2) |
| DC-008 | RSB | REX0JEG | C-Clip |

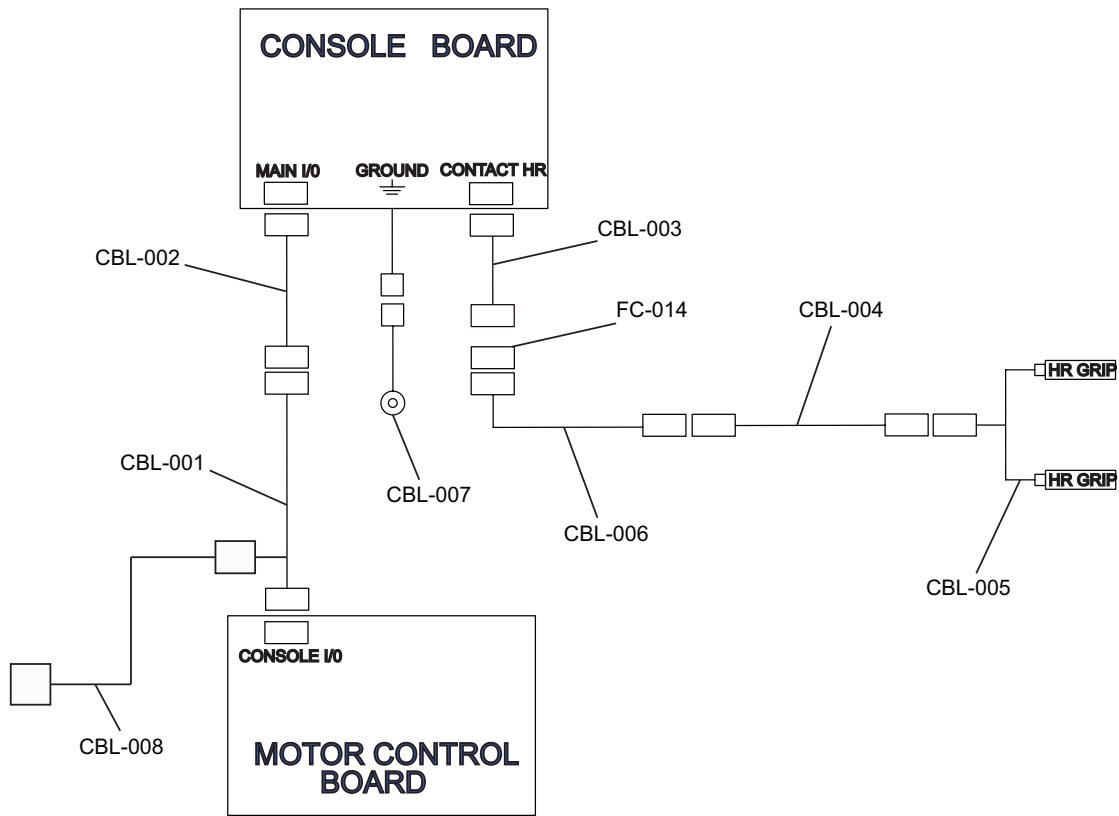
Frame Components



Parts List

| Item | Alpha Code | Part Number | Description |
|--------|------------|-------------|-------------------------------------|
| FC-001 | RSB | REX33MF | 50MM Screw (4) |
| FC-002 | RSB | REX3EXF | Crank Shaft |
| FC-003 | RSB | REX0JEJ | Ret. Ring (2) |
| FC-004 | RSB | REX0JGM | Crank Key |
| FC-005 | RSB | REX0HVQ | Bearing (2) |
| FC-006 | RSB | REX20L2 | Drive Pulley |
| FC-007 | RSB | REX0KN5 | Low Nut |
| FC-008 | RSB | REX2AX2 | Wheel Assembly (2) |
| FC-009 | RSB | 9107601 | PCB, Generator Control, DCI (-XX14) |
| | RSB | REX2M02 | Board Circuit (-XX00 / -XX16) |
| FC-011 | RSB | REX3GX5 | Rear Foot Assembly |
| FC-012 | RSB | REX2LRB | End Cap (4) |
| FC-013 | RSB | REX10LU | Leveler w/Nut (4) |

Wiring Diagram



Parts List

| Item | Alpha Code | Part Number | Description |
|---------|------------|-------------|---|
| CBL-001 | RSB | REX3EUH | Cable, Main I/O |
| CBL-002 | RSB | REX3EUG | Cable, Main I/O Upright |
| CBL-003 | RSB | REX3EUJ | Cable, Contact HR Upright to Console |
| CBL-004 | RSB | REX3EUP | Cable, Contact HR Seat to Frame |
| CBL-005 | RSB | REX2RZ7 | Cable, HR Grips |
| CBL-006 | RSB | REX3EUK | Cable, Contact HR Base to Upright |
| CBL-007 | RSB | REX3EW6 | Ground Cable |
| CBL-008 | RSB | REX2K86 | Cable, CT Motor Transformer |
| | RSB | 8974001 | Assy, Transformer, 100-240V, 9V, 4A, DOM |
| | RSB | 8974101 | Assy, Transformer, 100-240V, 9V, 4A, UK |
| | RSB | 8974201 | Assy, Transformer, 100-240V, 9V, 4A, CONT |
| | RSB | 8974301 | Assy, Transformer, 100-240V, 9V, 4A, AUST |
| | RSB | 8974401 | Assy, Tranformer, 100-240V, 9V, 4A, BR |
| FC-14 | RSB | 9204601 | Male to Male Connector |